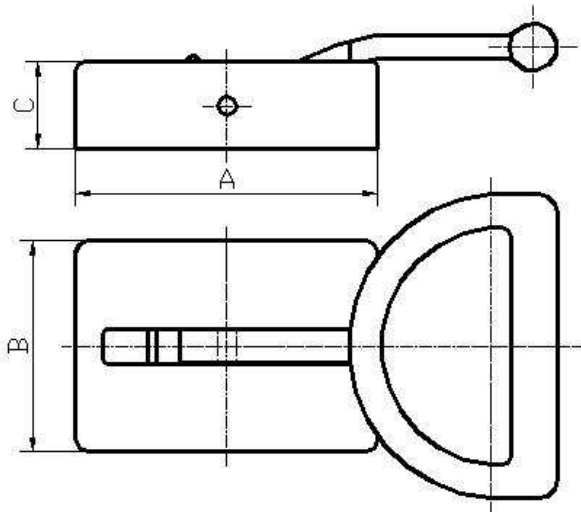


Magnetic Plate Lifter

- Powerful ferrite magnets in an aluminum housing provides secure grip;
- Incorporates a quick release mechanism for ease of removal from the held item;
- Easy and efficient remove steel plates and segments from laser, flame and plasma profiling machines;
- Without damaging the lifting items.



Magnetic Plate Lifter					
ITEM No.	Dimensions (mm)			Weight (kg)	Holding Force (kg)
	A	B	C		
OEYK2H0004	127	89	36.5	1.9	45