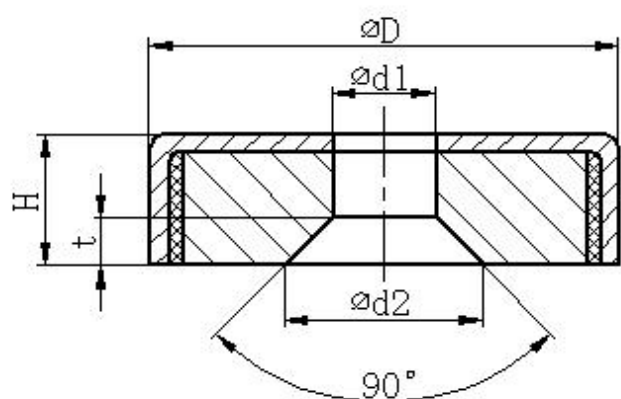


FERRITE POT MAGNET WITH COUNTERSUNK HOLE



FERRITE POT MAGNET WITH COUNTERSUNK HOLE							
Item No.	Dimensions (mm)					Weight (g)	Magnetic force (N)
	D	H	d1	d2	t		
OEYA2B0001	16	4.5	3.5	6.5	1.6	4	14
OEYA2B0002	20	6	4.2	8.6	2.1	9	27
OEYA2B0003	25	7	5.5	10.4	2.5	16	36
OEYA2B0004	32	7	5.5	10.4	2.5	27	72
OEYA2B0005	40	8	5.5	10.4	2.5	53	90