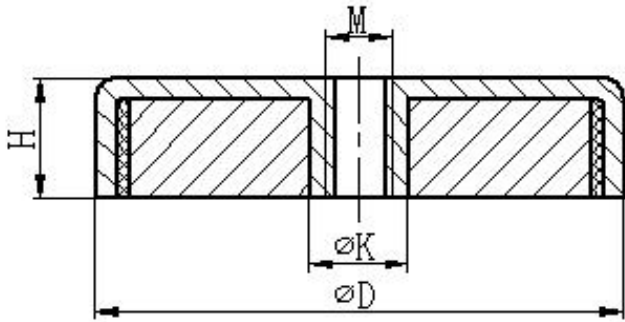


FERRITE POT MAGNET WITH THREADED HOLE



FERRITE POT MAGNET WITH THREADED HOLE						
Item No.	Dimensions (mm)				Weight (g)	Magnetic force (N)
	D	H	M	K		
OEYA2C0031	50	10	M6	18	105	170
OEYA2C0032	63	14	M8	20	235	350
OEYA2C0033	80	18	M10	15	490	550
OEYA2C0034	90	13	M10	32	350	380
OEYA2C0035	90	18	M10	32	450	420