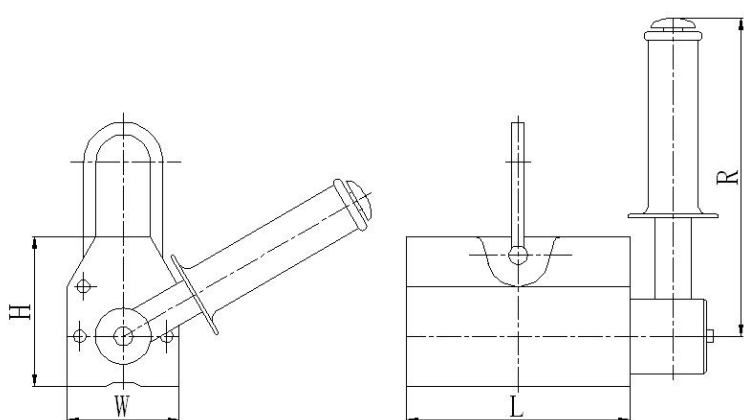


## Permanent Magnetic Lifter

- Convenient and safe in handling;
- Extraordinary holding force at small unit size;
- Lift and transport round and flat loads;
- Wide range of sizes.



<b>Permanent Magnetic Lifter</b>									
ITEM No.	Standard Holding Force (kgf)	Holding Force for cylinder (kgf)	The Max. Force for Drawing off (kgf)	Dimensions (mm)				Working Temp. (°C)	Weight (kg)
				W	L	H	R		
OEYJ5R0001	100	30	350	64	92	70	145	<80	3
OEYJ5R0002	300	100	1050	88	165	96	176	<80	10
OEYJ5R0003	500	150	1750	118	216	118	219	<80	20
OEYJ5R0004	600	200	2100	118	236	120	219	<80	24
OEYJ5R0005	1000	300	3500	168	264	168	285	<80	50
OEYJ5R0006	1500	500	5200	168	352	168	380	<80	70
OEYJ5R0007	2000	600	7000	226	378	216	462	<80	125
OEYJ5R0008	3000	1000	10500	290	453	265	567	<80	220
OEYJ5R0009	5000	1500	17500	290	647	265	707	<80	355
OEYJ5R0010	6000	2000	19200	290	713	266	707	<80	398



**Beijing OeMag International Co., Ltd**

Tel: +86-10-67609550; Fax: +86-10-67609565; E-mail: [oemag@oemag.com](mailto:oemag@oemag.com)