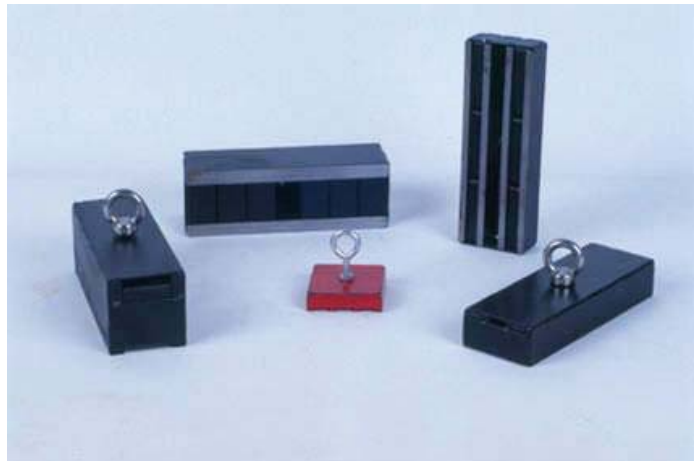
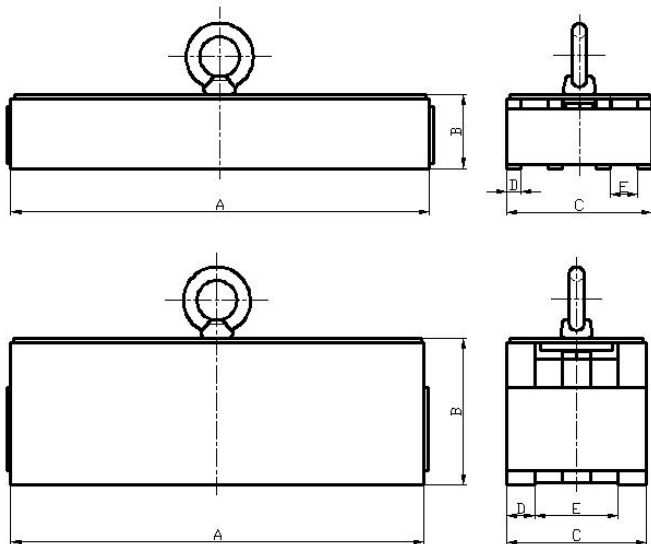


## Holding and Retrieving Magnets

- Powerful magnet designed for recovery / retrieval, e.g.: retrieve sunken treasure along the floor of the lake or stream;
- Attach a rope or chain to the eyebolt, then could be cleaner in tanks, vats, waterways or hard-to-reach places;
- Also could be screwed or bolted to most surfaces(metal walls, beams, doors and so on) to hold, lift or hang objects;
- The plastic painted (optional colors) surface ensure the magnets to work deep under water, oil and other dangerous liquids.



<b>Holding and Retrieving Magnets</b>							
<b>ITEM No.</b>	<b>Dimensions (mm)</b>					<b>Weight (kg)</b>	<b>Holding Force (kg)</b>
	<b>A</b>	<b>B</b>	<b>C</b>	<b>D</b>	<b>E</b>		
OEYJ2H0001	150	25	50.8	5	11.1	1.0	160
OEYJ2H0002	150	50	50.8	10	30	2.2	200
OEYJ2H0003	50.8	14.3	50.8	4.7	11.1	0.19	18.1
OEYJ2H0004	50.8	27	50.8	4.7	11.1	0.38	45.4
OEYJ2H0005	127	27	50.8	4.7	11.1	0.79	68
OEYJ2H0006	127	50.8	50.8	9.5	30	2.04	102.1

