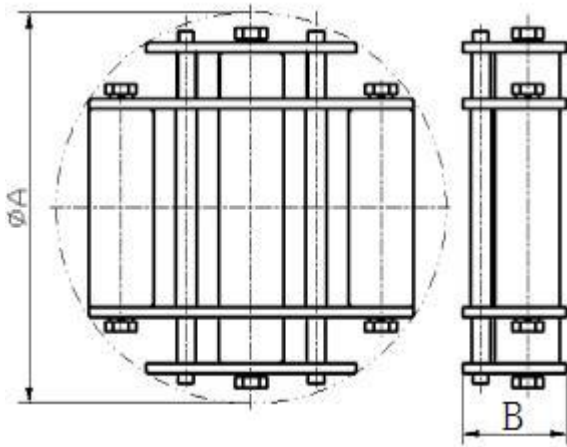


Magnetic Grids with Circular version

- Strong magnet circuit design, Max. surface Gauss value could achieve 12'000Gs;
- No "zero" magnetic area existed;
- Waterproof and well polished magnetic bars;
- Easy-clean type and food grade can be provided on request;
- With Circular version, Rectangular version, and Cylinder version available to fit any size or shape of hopper;
- Customizing and designing according to the application.

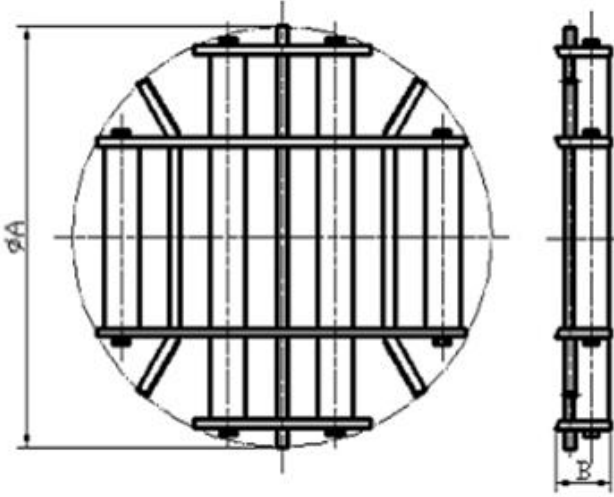
Circular version I



Circular version I						
ITEM No. (Ferrite series)	ITEM No. (NdFeB series)	No. Bars	Dimensions (mm)		Approx. Before Packing Wt.(kg)	
			A	B	Ferrite series	NdFeB series
OEYF2A0101	OEYF5A0101	3	100	40	0.5	0.6
OEYF2A0102	OEYF5A0102	3	150	40	1.5	1.7



Circular version II



Circular version II						
ITEM No. (Ferrite series)	ITEM No. (NdFeB series)	No. Bars	Dimensions (mm)		Approx. Before Packing Wt.(kg)	
			A	B	Ferrite series	NdFeB series
OEYF2A0103	OEYF5A0103	4	200	40	2.7	3.1
OEYF2A0104	OEYF5A0104	4	250	40	3.8	4.4
OEYF2A0105	OEYF5A0105	4	300	40	4.6	5.4
OEYF2A0106	OEYF5A0106	4	350	40	5.4	6.3
OEYF2A0107	OEYF5A0107	4	400	40	6.2	7.4
OEYF2A0108	OEYF5A0108	4	450	40	7.1	8.4
OEYF2A0109	OEYF5A0109	8	500	40	11.9	14.4
OEYF2A0110	OEYF5A0110	8	550	40	13.4	16.3
OEYF2A0111	OEYF5A0111	8	600	40	14.5	17.9